

indital usa

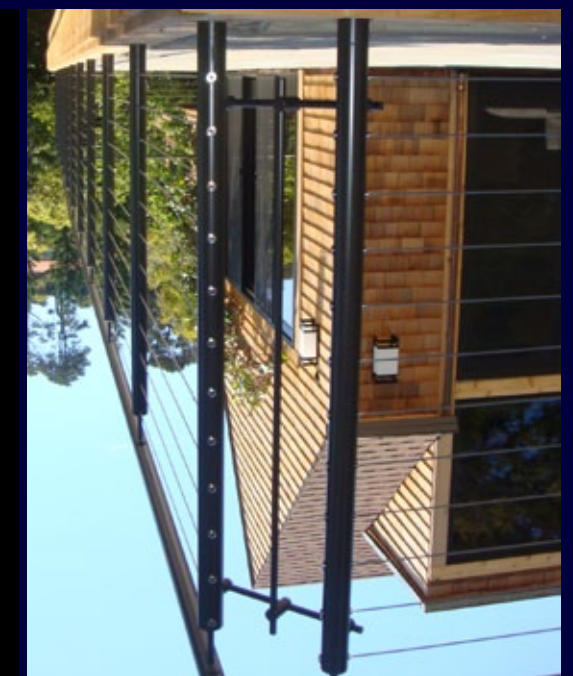
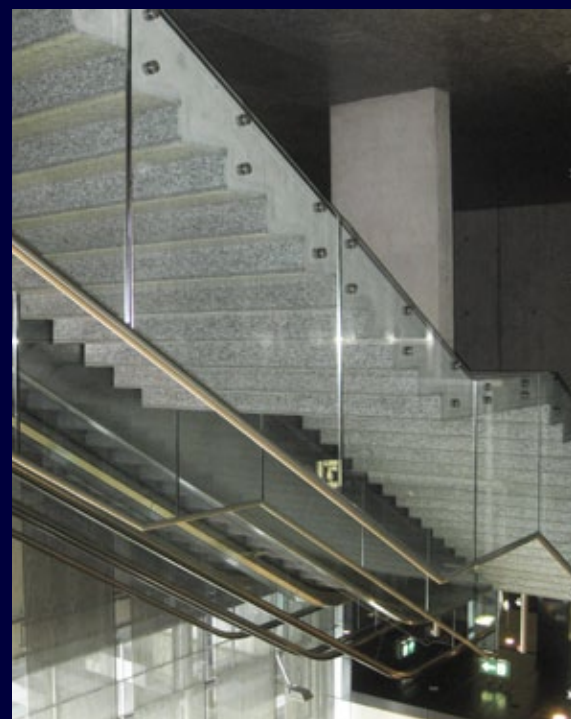
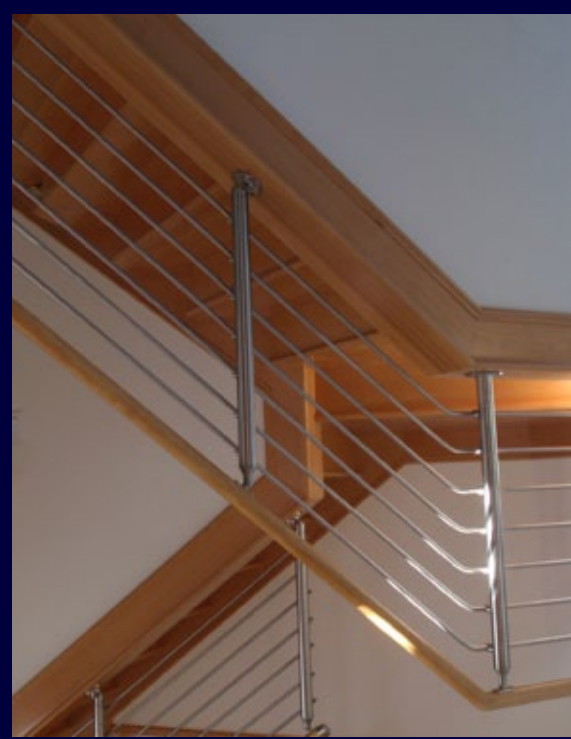
7947 Mesa Drive
Houston, Tx 77028
Tel: (713) 694-6065
Toll Free: (800) 772-4706
Fax: (713) 694-2055
Mail: forgings@indital.com
www.indital.com

indital usa 

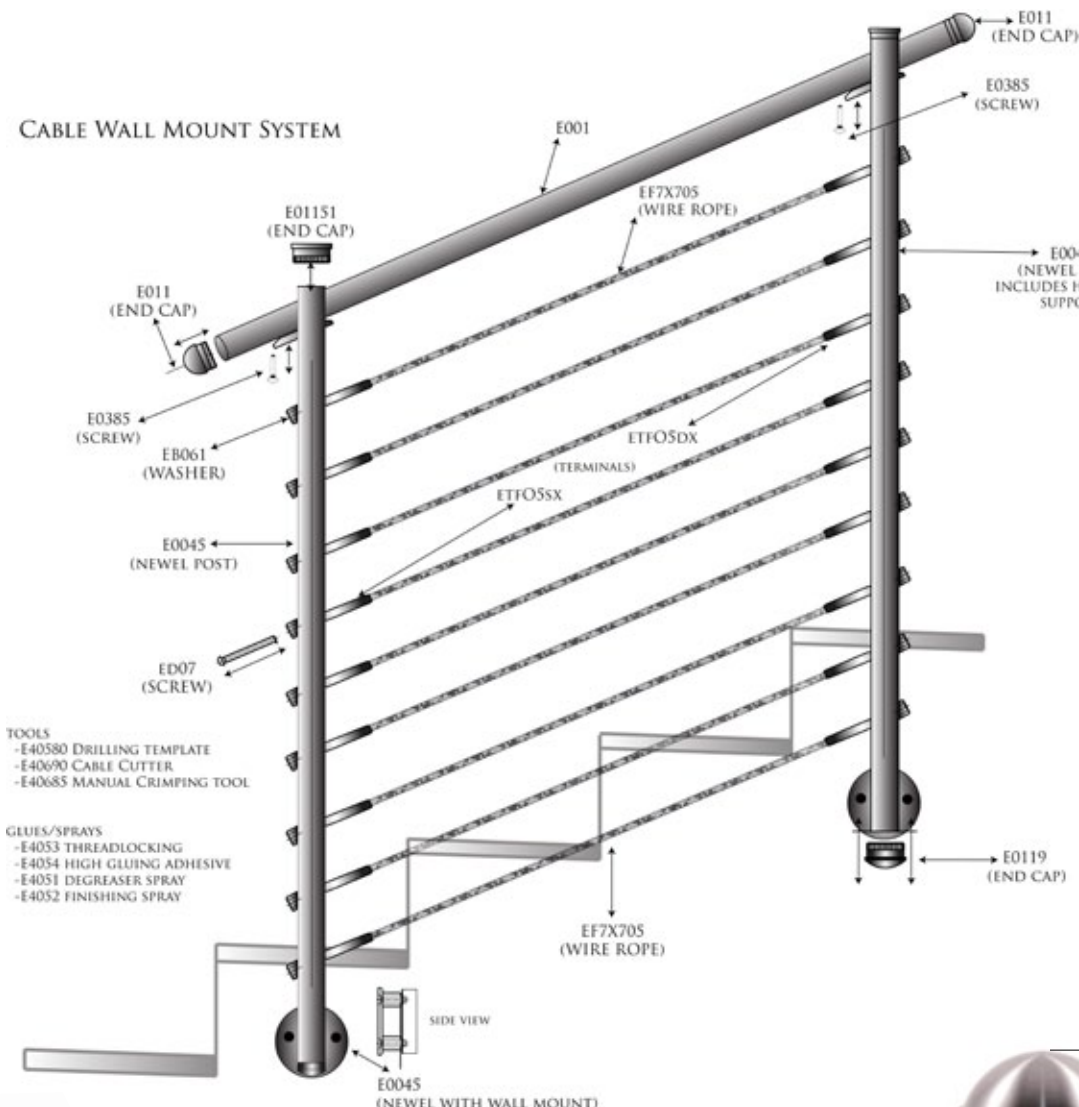
Stainless Steel Railing Systems



new



CABLE WALL MOUNT SYSTEM



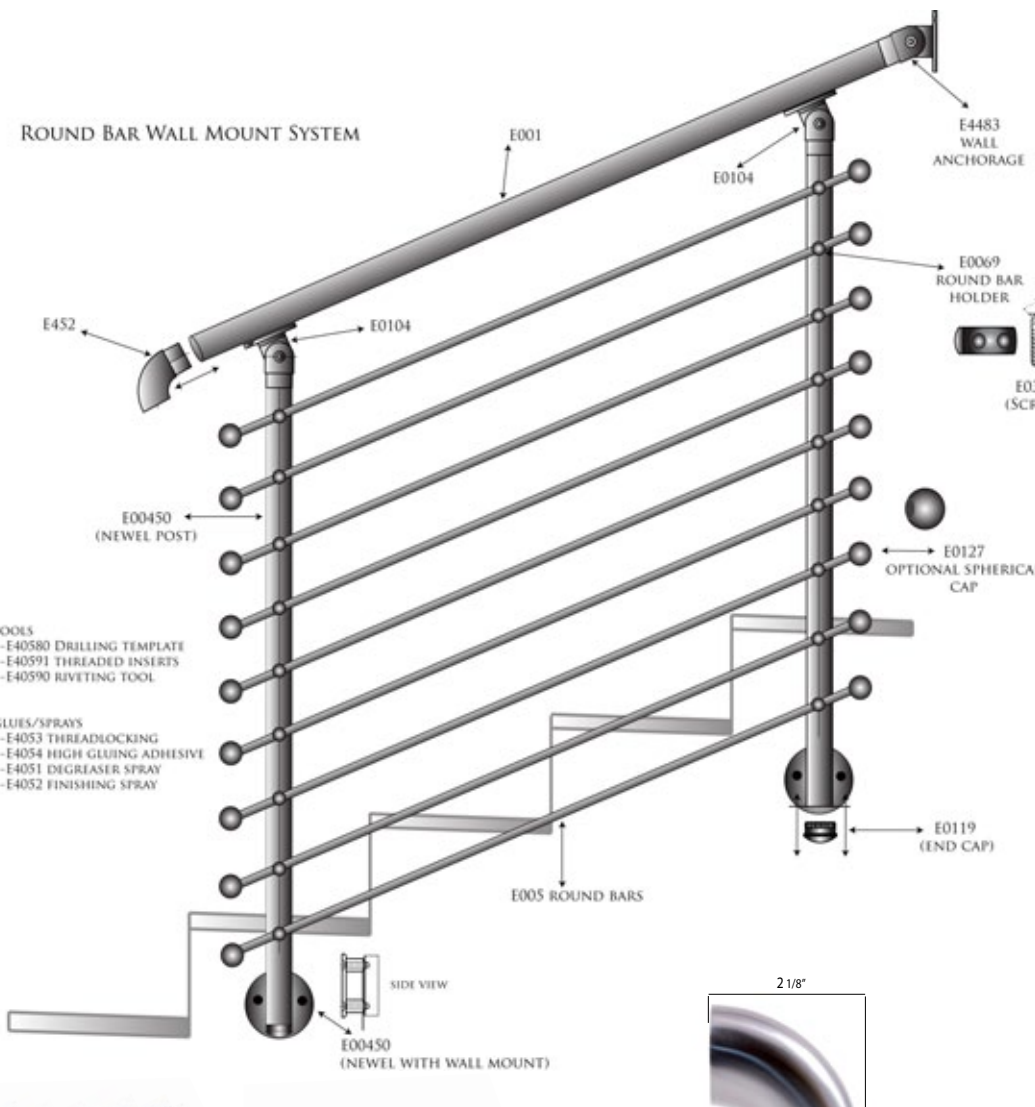
- TOOLS**
 -E40580 DRILLING TEMPLATE
 -E40690 CABLE CUTTER
 -E40685 MANUAL CRIMPING TOOL
- GLUES/SPRAYS**
 -E4053 THREADLOCKING
 -E4054 HIGH GLUING ADHESIVE
 -E4051 DEGREASER SPRAY
 -E4052 FINISHING SPRAY

AISI 304	Dimensions	AISI 303	For tube	AISI 303	For tube	AISI 303	For tube	H
E001	1 2/3" dia. x 5/64" x 9'-10"	E0119	1 2/3" dia. x 5/64"	E01151	1 2/3" dia. x 5/64"	E011	1 2/3" dia. x 5/64"	3/4"

AISI 304	Dimensions	AISI 316	Rope	Min. Brake load	AISI 316	Rope	Y
E001	1 2/3" dia. x 5/64" x 9'-10"	E07X705	13/64" dia.	14,00 kN	E01151	1 2/3" dia. x 5/64"	3/4"

AISI 304	X	H	AISI 316	Description	AISI 304	Thread	AISI 303	For tube	Hole
E0045	1 2/3" dia. x 5/64"	47 1/4"	E07	Rounded head screw M6 thread right	E0385	M5 x 1"	E061	1 2/3" dia.	17/64" dia.

ROUND BAR WALL MOUNT SYSTEM



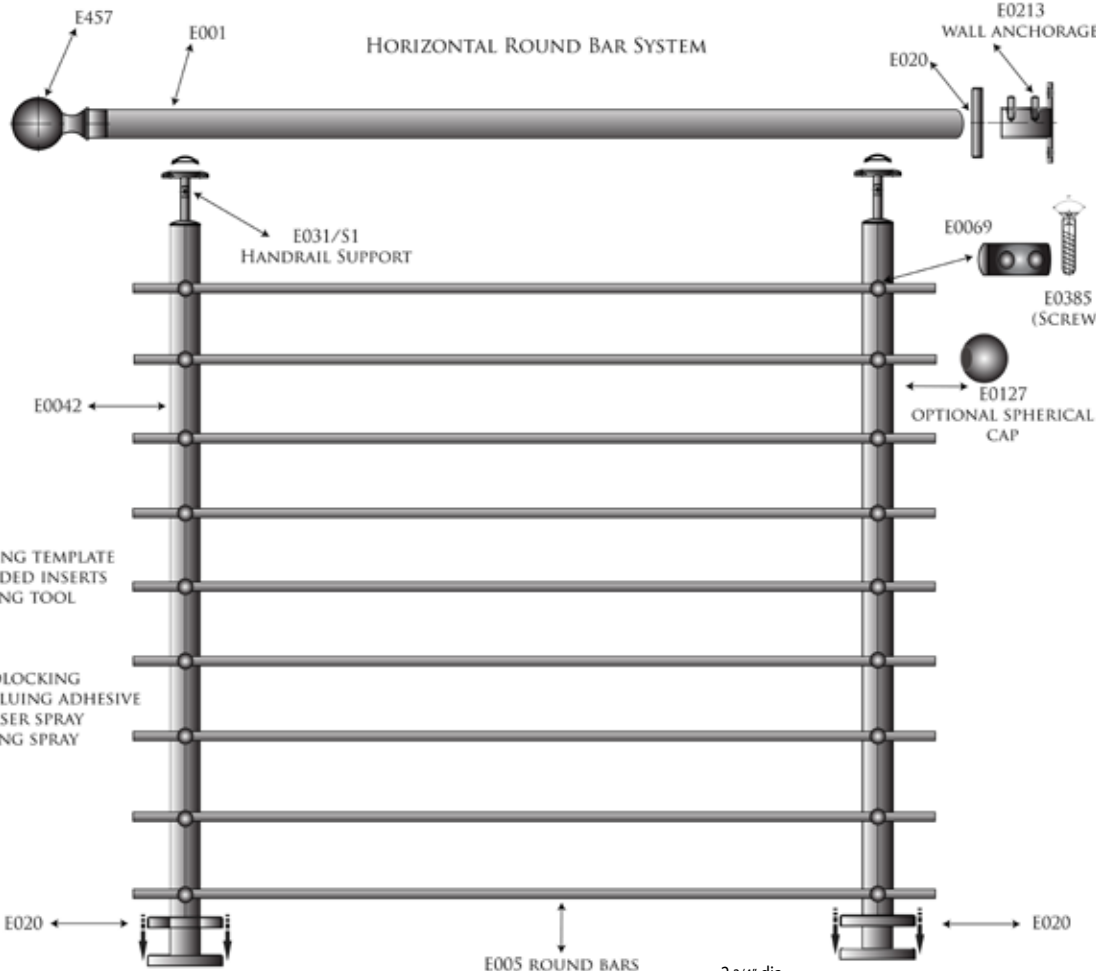
- TOOLS**
 -E40580 DRILLING TEMPLATE
 -E40591 THREADED INSERTS
 -E40590 RIVETING TOOL
- GLUES/SPRAYS**
 -E4053 THREADLOCKING
 -E4054 HIGH GLUING ADHESIVE
 -E4051 DEGREASER SPRAY
 -E4052 FINISHING SPRAY

AISI 304	Dimensions	AISI 304	Dimensions	AISI 316	For tube	AISI 303	Dimensions
E001	1 2/3" dia. x 5/64" x 9'-10"	E005	1/2" dia. x 9'-10"	E452	1 2/3" dia. x 5/64"	E0127	1" dia. blind hole

AISI 304	Dimensions	AISI 316	For tube	AISI 303	For tube
E0069	1 2/3" dia.	E4483	1 2/3" dia. x 5/64"	E0119	1 2/3" dia. x 5/64"

AISI 304	X	H	AISI 303	For tube	AISI 304	Thread
E00450	1 2/3" dia. x 5/64"	47 1/4"	E0104	1 2/3" dia. x 5/64"	E0385	M5 x 1"

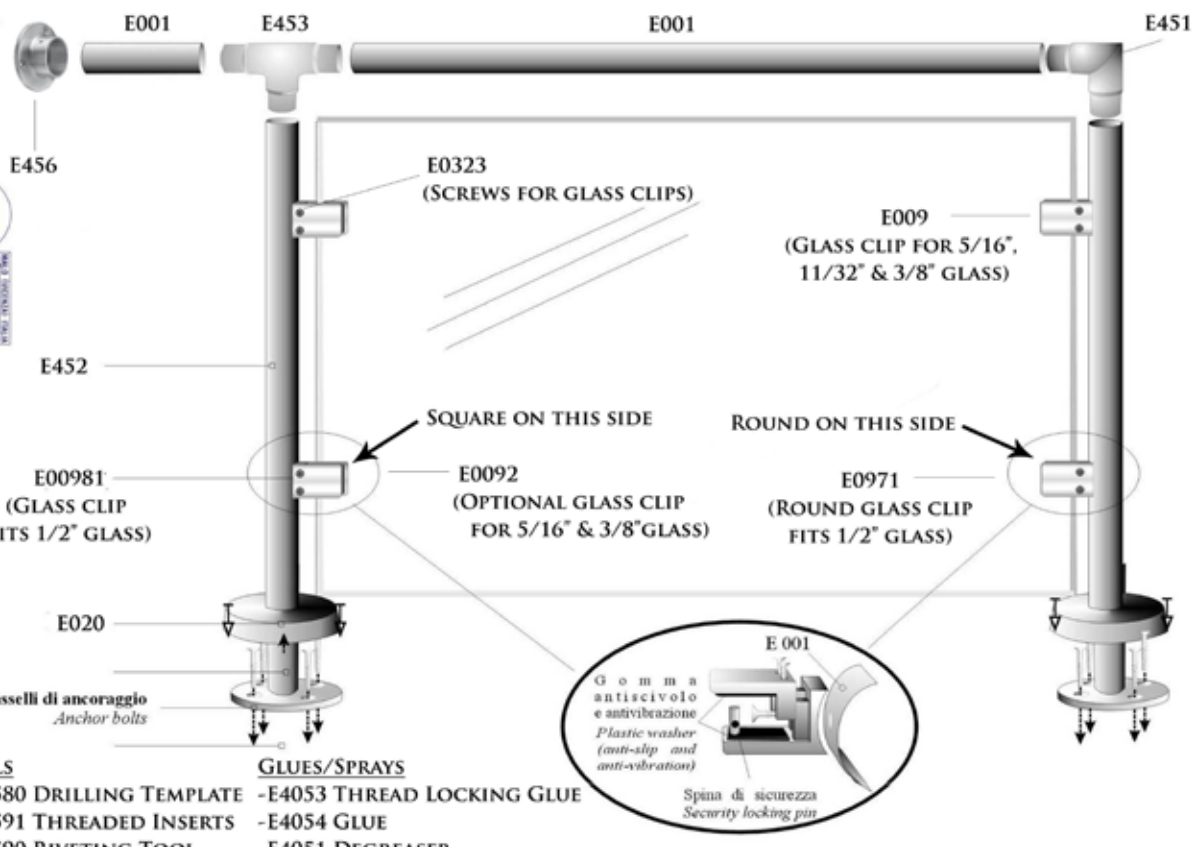
HORIZONTAL ROUND BAR SYSTEM



- TOOLS**
 -E40580 DRILLING TEMPLATE
 -E40591 THREADED INSERTS
 -E40590 RIVETING TOOL
- GLUES/SPRAYS**
 -E4053 THREADLOCKING
 -E4054 HIGH GLUING ADHESIVE
 -E4051 DEGREASER SPRAY
 -E4052 FINISHING SPRAY

AISI 304	Dimensions	AISI 304	Dimensions	AISI 316	For tube	AISI 304	For tube
E001	1 2/3" dia. x 5/64" x 9'-10"	E005	1/2" dia. x 9'-10"	E457	1 2/3" dia. x 5/64"	E0213	1 2/3" dia. x 5/64"

AISI 304	Dimensions	Hole	Height	AISI 304	X	H	AISI 303	For tube	AISI 304	Thread
E020	4 9/64" dia.	1 11/16" dia.	19/32"	E0042	1 2/3" dia. x 5/64"	39 3/8"	E0069	1 2/3" dia.	E0385	M5 x 1"



- TOOLS**
 -E40580 DRILLING TEMPLATE
 -E40591 THREADED INSERTS
 -E40590 RIVETING TOOL
- GLUES/SPRAYS**
 -E4053 THREAD LOCKING GLUE
 -E4054 GLUE
 -E4051 DEGREASER

AISI 304	Dimensions	AISI 304	Thread	AISI 304	Dimensions	Hole	Height	AISI 316	For tube
E001	1 2/3" dia. x 5/64" x 9'-10"	E0323	M8 x 25/32"	E020	4 9/64" dia.	1 11/16" dia.	19/32"	E456	1 2/3" dia. x 5/64"

AISI 316	Dimensions	For tube	Glass thickn.	AISI 316	Dimensions	For tube	Glass thickn.	AISI 316	Dimensions	For tube	Glass thickn.
E0092	2 3/64" x 2 9/32"	1 2/3" dia.	5/16" and 3/8"	E00981	2 3/64" x 2 3/8"	1 2/3" dia.	3/8" and 1/2"	E00971	2 5/64" x 2 5/8"	1 2/3" dia.	1/2"